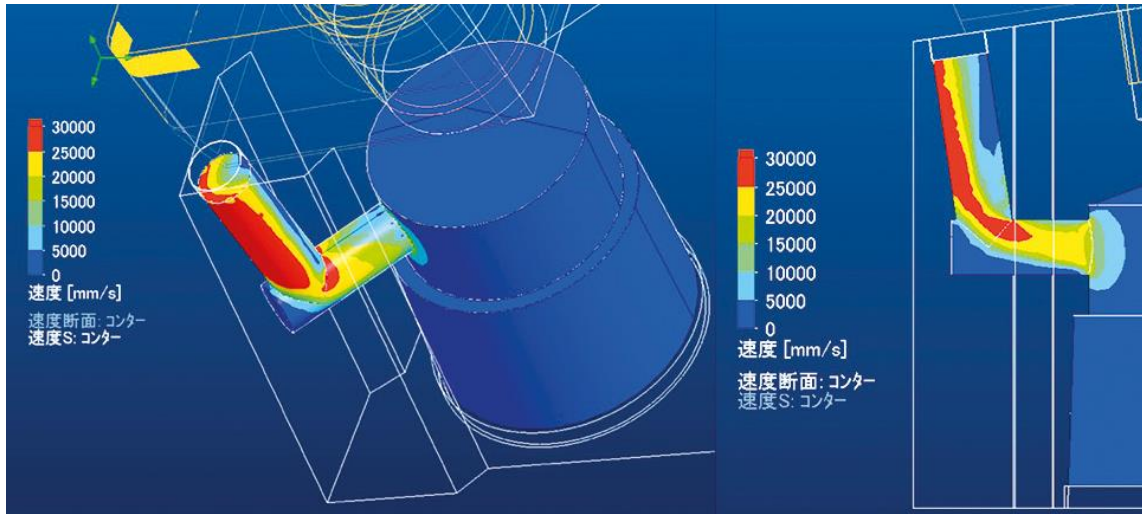
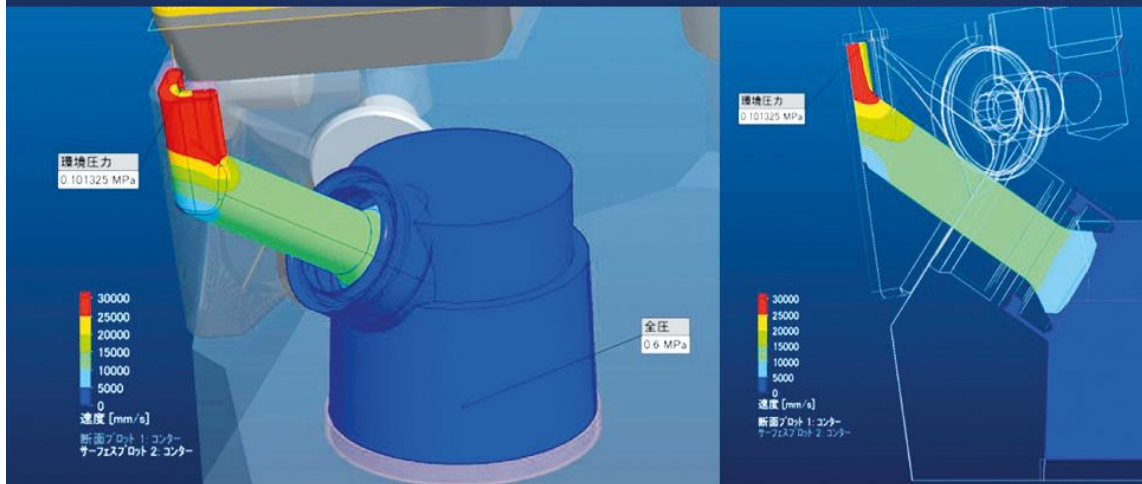


# Mitsubishi Materials designs enhanced cooling technology

**SIEMENS**  
*Ingenuity for life*



Mitsubishi Materials applies lab results to design process, extending life of cutting tools.



**40%**  
extend product lifetime

